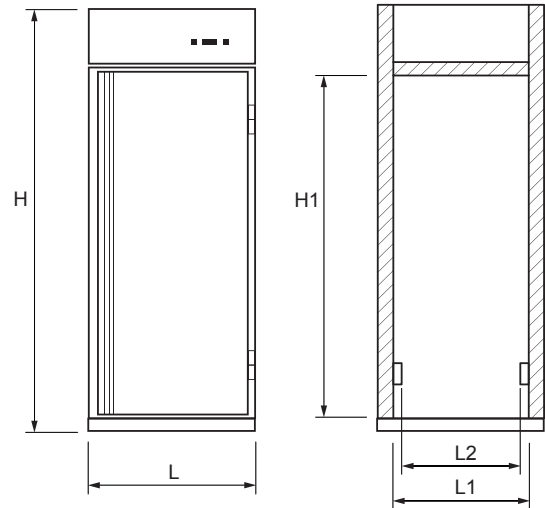
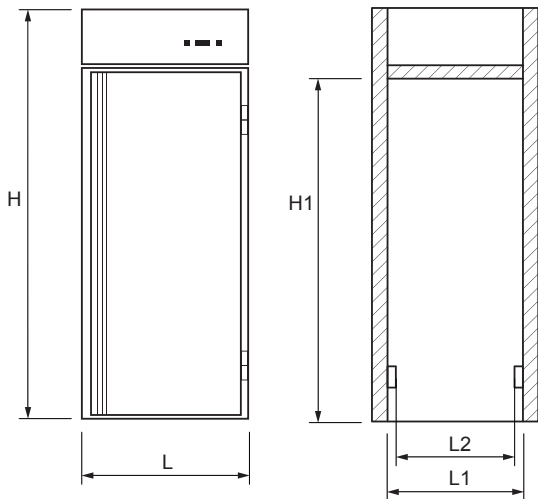


# ROLL-IN ROLL-THROUGH

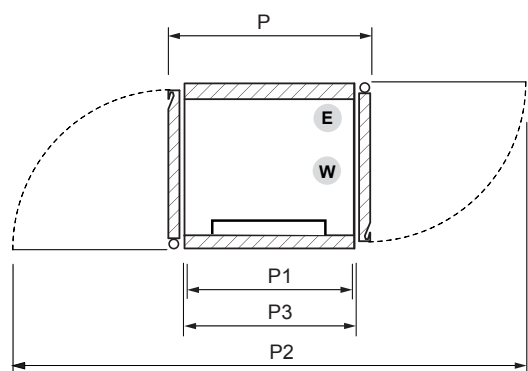
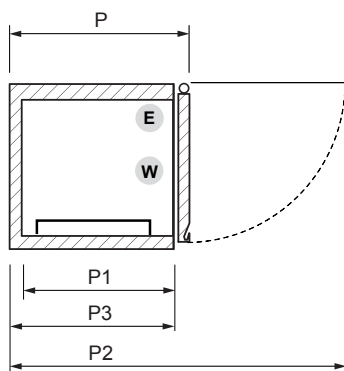
**ARCI1 - ARCT1**

**AFCI1 - AFCT1**



**ROLL-IN (ARCI1 - AFCI1)**

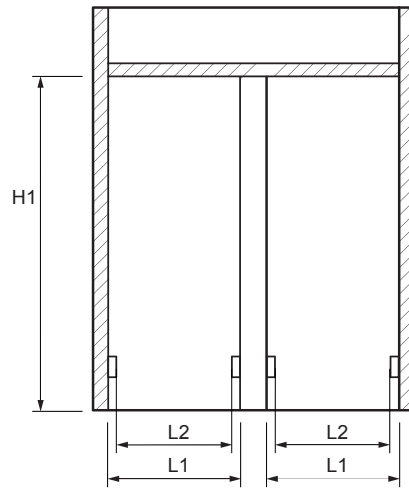
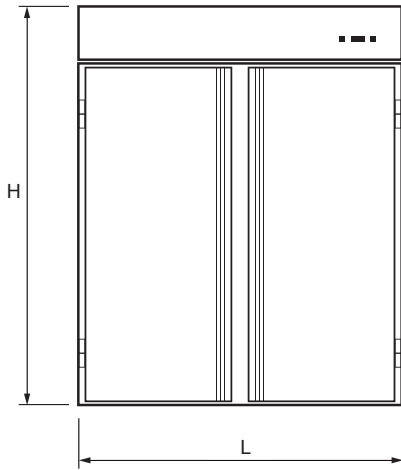
**ROLL-THROUGH (ARCT1 - AFCT1)**



- E** Connessione elettrica  
*Electrical connection*
- W** Connessione idrica  
*Drain connection*

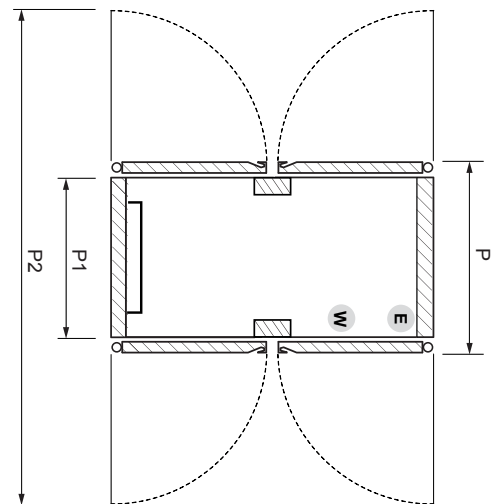
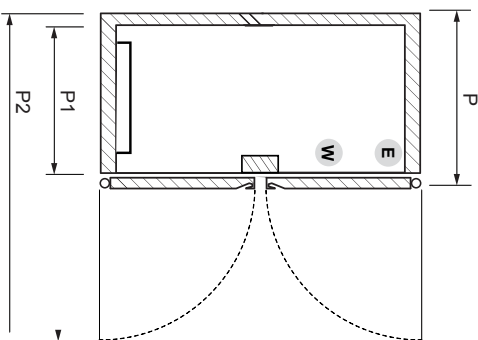
# ROLL-IN ROLL-THROUGH

## ARCI 2 - ARCT 2



### ROLL-IN (ARCI 2)

### ROLL-THROUGH (ARCT 2)

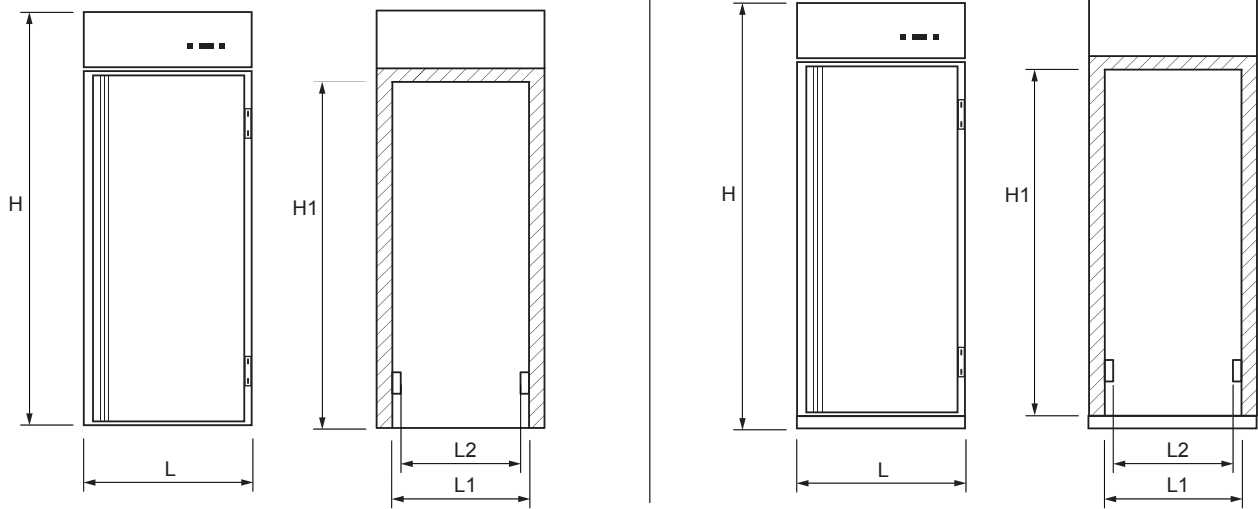


- E** Connessione elettrica  
Electrical connection
- W** Connessione idrica  
Drain connection

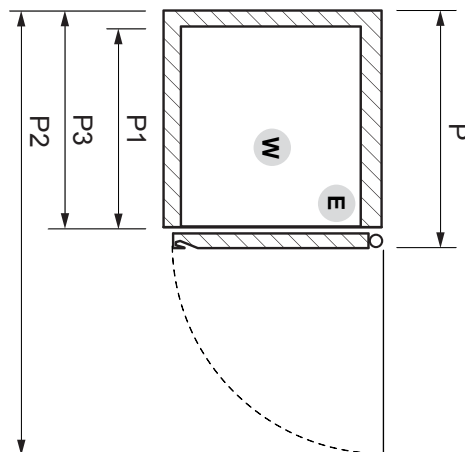
# ROLL-IN MNSC

1PM TN

1PM BT



## ROLL-IN



- E** Connessione elettrica  
*Electrical connection*
- W** Connessione idrica  
*Drain connection*